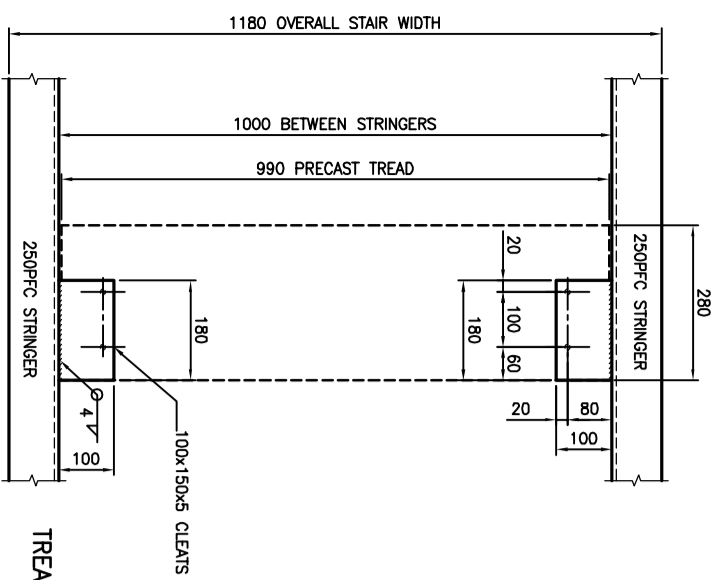
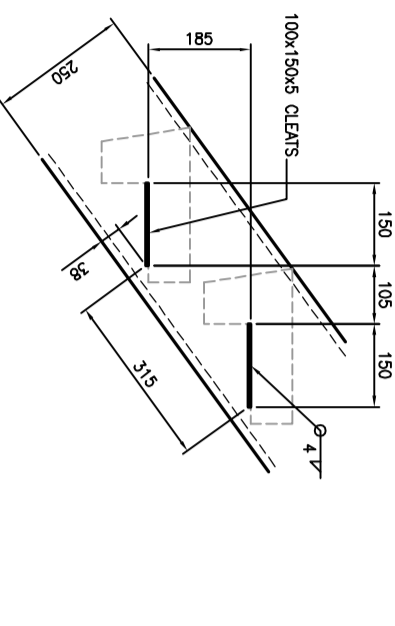


DETAIL A
SCALE 1:10
TYPICAL TREAD PLAN

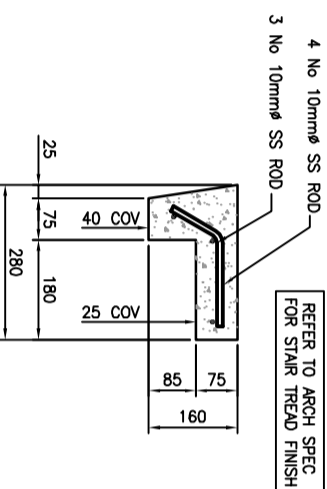
DETAIL B
SCALE 1:10
TYPICAL STAIR GEOMETRY



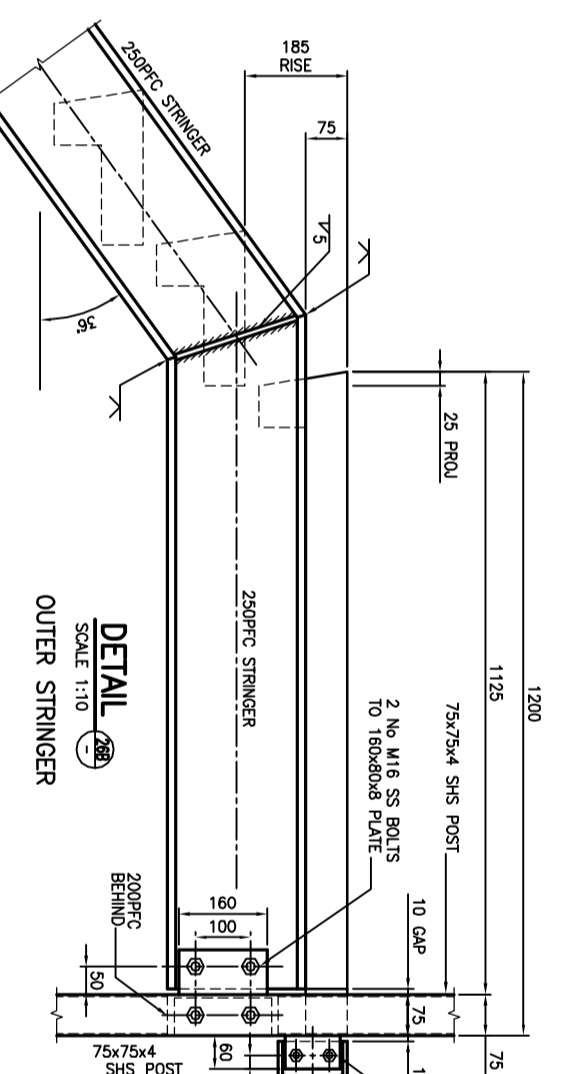
DETAIL E
SCALE 1:10
TREAD FIXING DETAILS



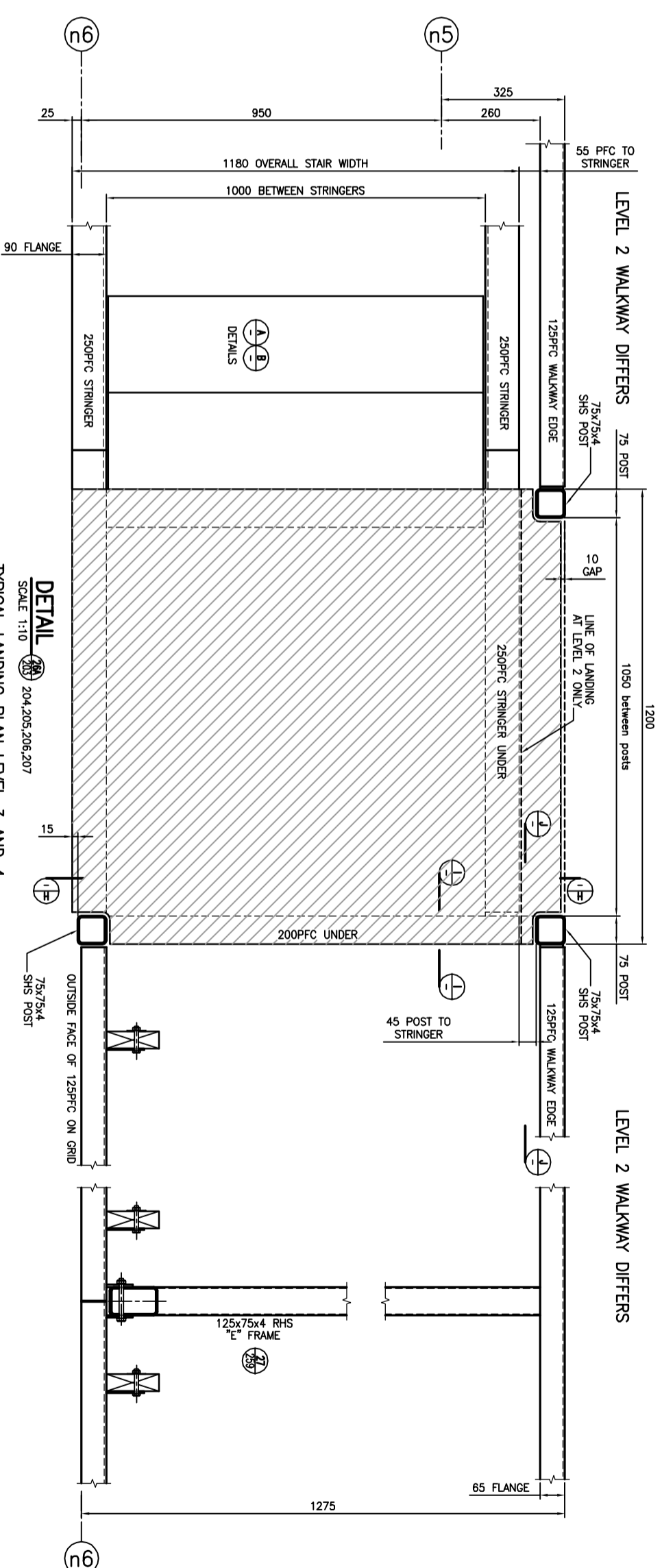
SECTION L
SCALE 1:10
TYPICAL STAIR TREAD



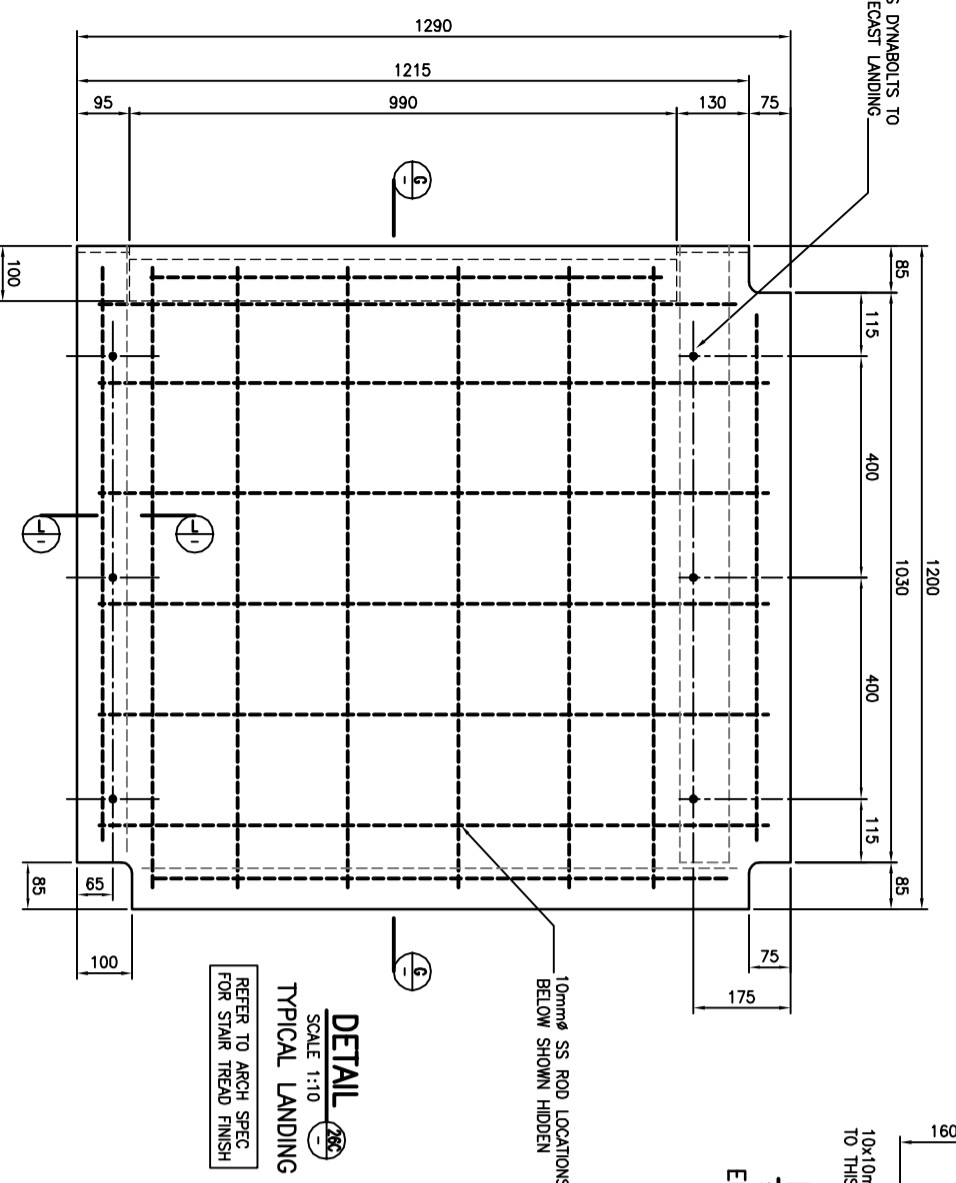
SECTION L
SCALE 1:10
TYPICAL STAIR TREAD



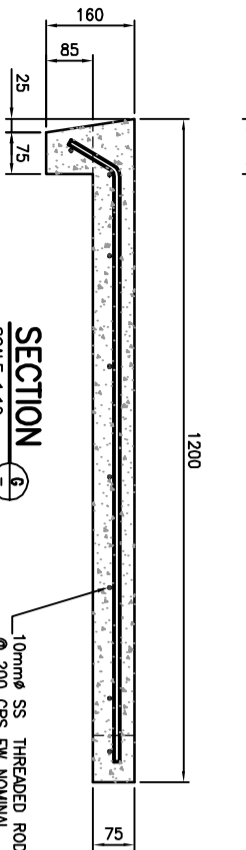
DETAIL 28B
SCALE 1:10
OUTER STRINGER



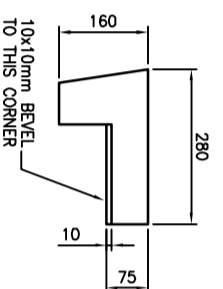
DETAIL 28A
SCALE 1:10
TYPICAL LANDING PLAN LEVEL 3 AND 4



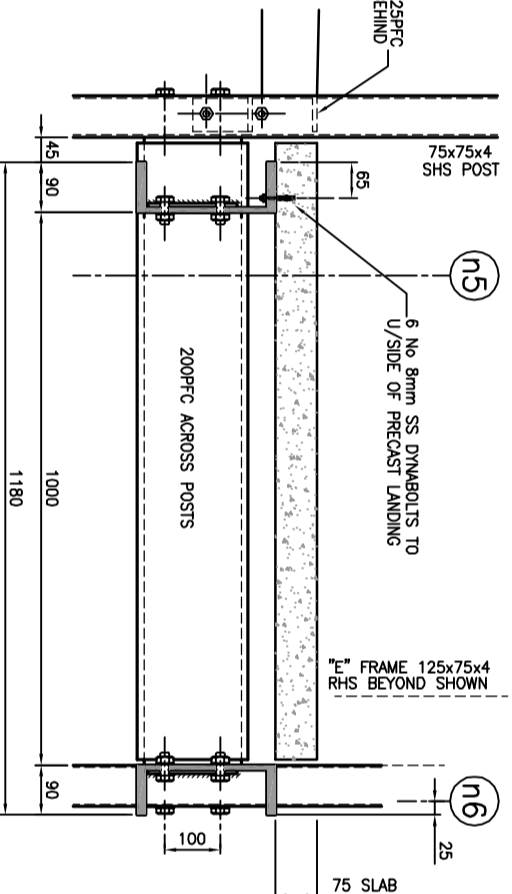
DETAIL 28C
SCALE 1:10
TYPICAL LANDING



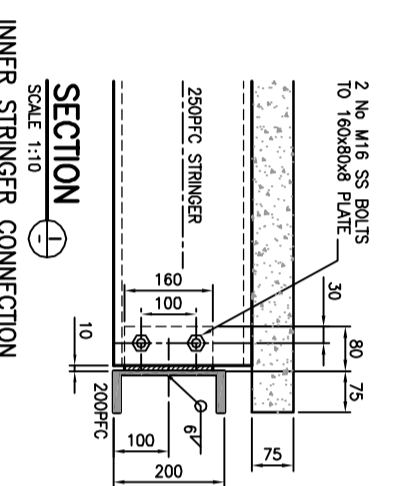
SECTION 2
SCALE 1:10
TYPICAL LANDING
LEVEL 2 LANDING DIFFERS



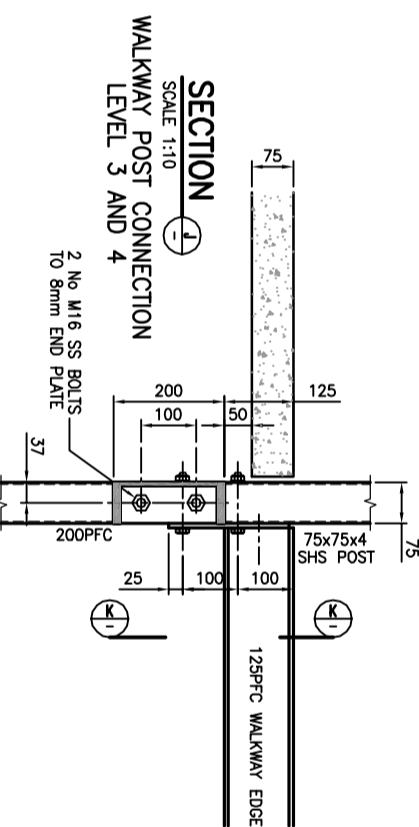
DETAIL 28D
SCALE 1:10
END ELEVATION



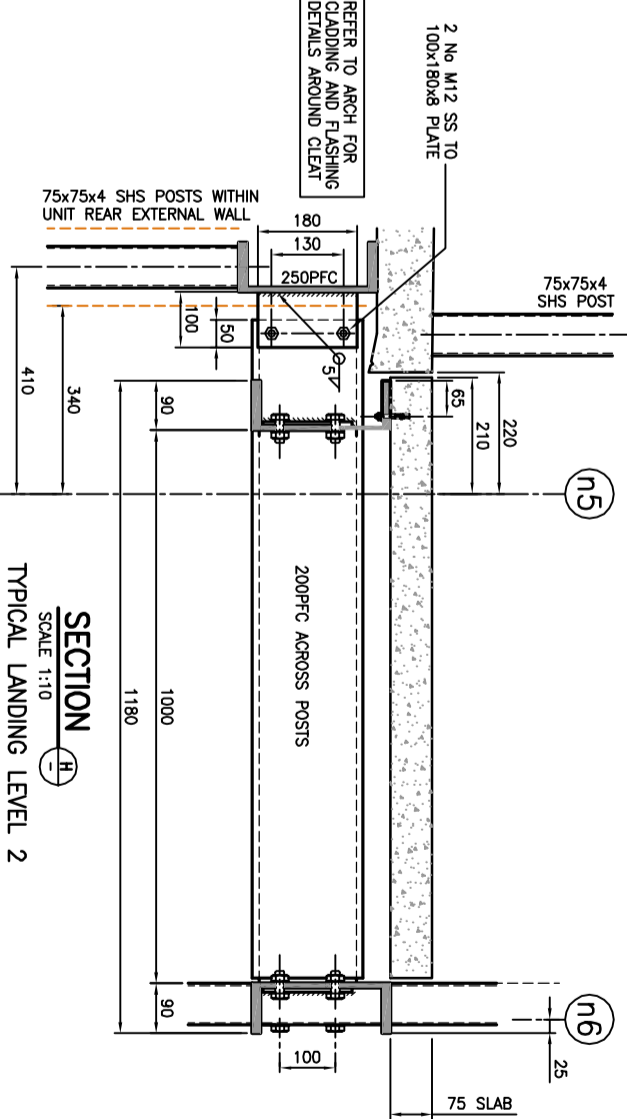
SECTION 15
SCALE 1:10
TYPICAL LANDING LEVEL 3 AND 4



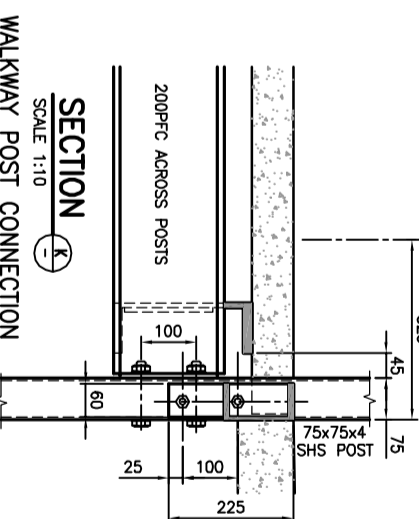
SECTION 14
SCALE 1:10
INNER STRINGER CONNECTION



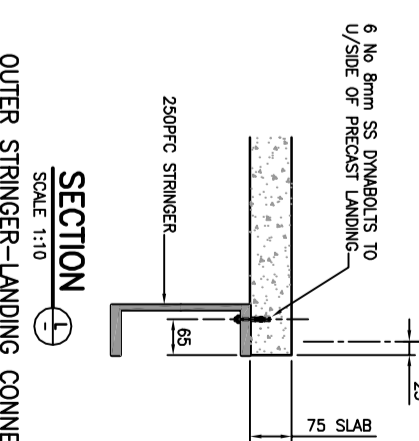
SECTION 16
SCALE 1:10
WALKWAY POST CONNECTION
LEVEL 3 AND 4



SECTION 15
SCALE 1:10
TYPICAL LANDING LEVEL 2



SECTION 17
SCALE 1:10
WALKWAY POST CONNECTION



SECTION 18
SCALE 1:10
OUTER STRINGER-LANDING CONNECTION